

HYDRAULIC / ELECTRIC
ECOFRIDGE TOPLINE 13



TOPLINE 13 IS A HYDRAULIC AND ELECTRIC POWERED UNIT with extremely reliable properties. This efficient and fuel-saving unit has carefully selected components for optimal performance.



Topline 13 can be supplied in several designs with different functions and is equipped with our Display control system. The unit is mounted externally on the front wall.

ECOFRIDGE

Topline 13

- ▶ Hydraulic constant flow pump delivers full power regardless of speed
- ▶ Fuel savings of up to 60%
- ▶ Reduced CO₂, NO_x & PM emissions
- ▶ Lower service costs
- ▶ Mounted on the body above the cab
- ▶ Mains connection 400 V
- ▶ Display control system

FUNCTION

THE UNIT IS POWERED BY A HYDRAULIC CONSTANT FLOW PUMP which is mounted directly on the truck's PTO. This solution provides constant power whatever the engine speed. The unit can also be connected to the mains. Heating is provided by electric and water heaters.

The unit can be equipped with an extra evaporator. The Intelli Start feature allows the refrigeration system to start and stop the truck engine when parked.

Topline 13 - functional design combined with major fuel savings and lower CO₂ emissions.

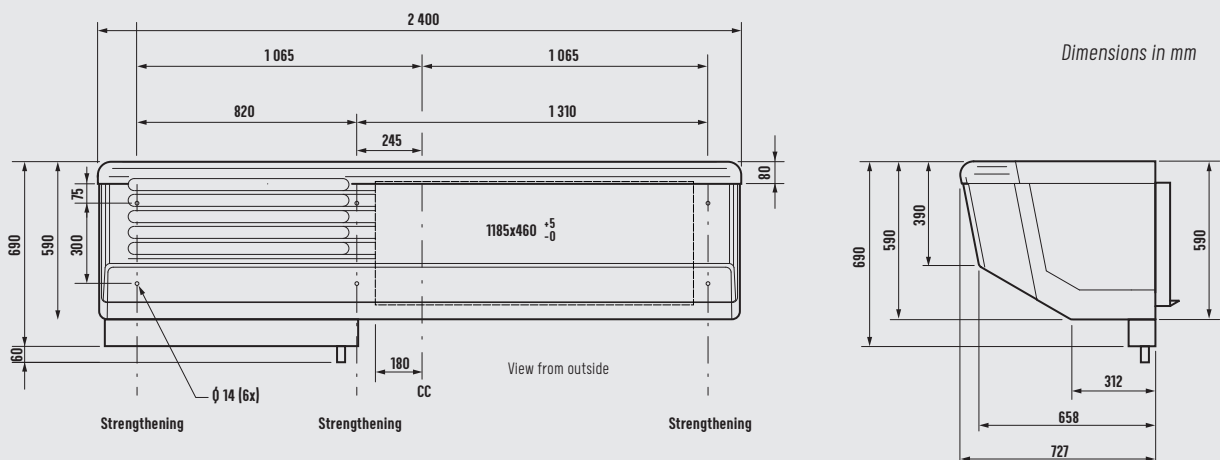


TECHNICAL SPECIFICATIONS

Model	Refrigeration capacity*			Electric power*			Standard heat	Extra heat Water	Multizone	Weight
	Box temp 0°C	Box temp -10°C	Box temp -20°C	Box temp 0°C	Box temp -10°C	Box temp -20°C				
Topline 13	8 620 W	6 570 W	4 210 W	5 100 W	5 060 W	3 910 W	Yes	No	Option	390 kg

*Refrigeration capacity specified at +30°C ambient temperature.

DIMENSIONS



HULTSTEINS