



FOR ANY REFRIGERATION UNIT

# ECOGEN SLIMLINE 30

HYBRID POWER



**ECOGEN IS A HYBRID-DRIVE SYSTEM** that harnesses kinetic energy from the truck and recycles it into electrical energy for the transport refrigeration unit.

SLIMLINE 30

# ECOGEN

*Ecogen - functional design combined with major fuel savings and lower CO<sub>2</sub> emissions.*



- ▶ Improvement of air quality through reduced CO<sub>2</sub>, No<sub>x</sub> and particulate
- ▶ Reduced fuel consumption
- ▶ Low maintenance
- ▶ Safeguarding your business from potential lorry restrictions

## FUNCTION

**ECOGEN IS A CLIP ON HYDRAULIC GENERATOR** powered from the truck, or tractor units Engine drive PTO. It provides constant 400 volt 3 phase electrical power to the same standard, as the mains supply.

Ecogen, plugs into any vehicle refrigeration unit with mains electric operation. This will power traditional Diesel-powered refrigeration units, with electric generated from the truck engine at full capacity whether travelling through towns and cities or cross country. This will reduce the fuel consumed to cool the load, and lower the Emissions produced by the refrigeration, to the same standard as the truck or tractor unit.

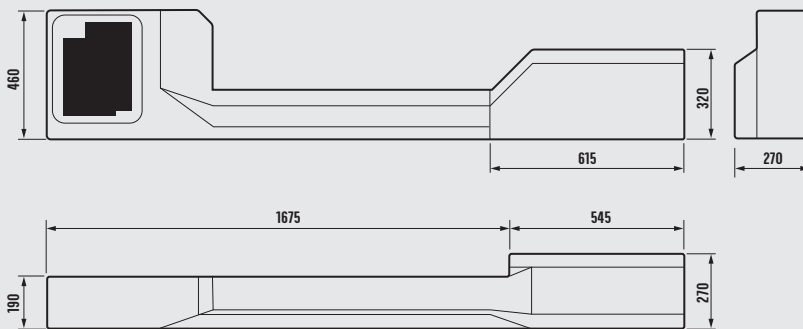
Ecogen, will transform the vehicle into a mobile generator capable of powering anything electric up to 30KVA.

## TECHNICAL SPECIFICATIONS

Model	Electrical Capacity	Electrical Capacity	Vehicle Type				Weight
			Rigid	Urban Tractor unit	Tractor unit	Wagon & Drag	
Ecogen	400v 50hz	460v 60hz					
<b>Slimline 30</b>	25 KVA	30 KVA	Yes	Yes	Yes	Yes	155 kg

## DIMENSIONS

Ecogen Slimline 30



*Dimensions in mm.*